



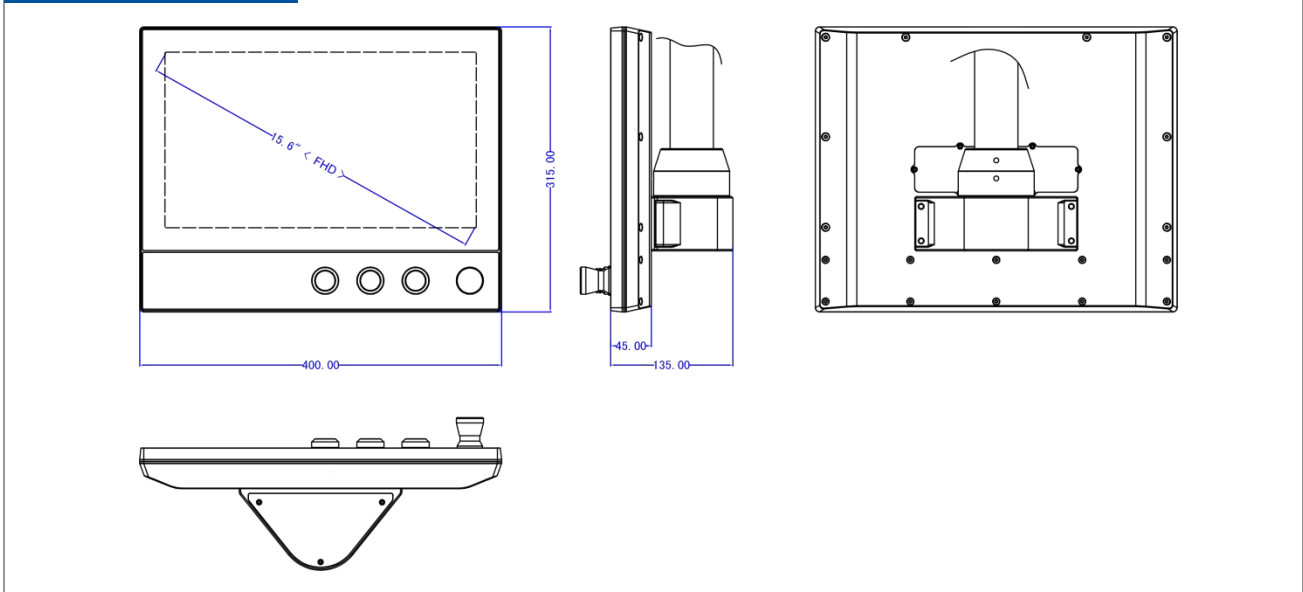
Features

- Industrial-grade 15.6" FHD LCD panel with 50k backlight lifetime
- Optical bonding PCAP multipoint touch screen
- IP66 grade aluminum alloy front panel
- Video Input Interfaces: 1 x VGA / 1 x HDMI
- Support USB Interfaces for Touch Function
- Supports embedded / VESA 100mm x 100mm mounting holes
- Support RAFI FS22+ series button expansion and stainless steel 48 series
- Wide Operating Temperature -20°C to 70°C
- 12V to 24V DC Wide Range Power Input

Specifications

Display	
Panel Size	15.6" (16:9)
Resolution	1920 x 1080 (FHD)
Display Brightness	450 cd/m2
Contrast Ratio	1000:1
Backlight Lifetime	50000 Hr (min.)
Viewing Angle	89 / 89 / 89 / 89 (CR≥10) (L / R / U / D)
Touch screen	
Touch Type	Optical bonding PCAP Touc
Surface Hardness	≥7H
I / O	
VGA	1 x VGA
H-DMI	1 x H-DMI
USB	1 x Touch USB
Other I/O Interface	1 x OSD Control Key
Button	RAFI FS22+ Select / Green / Red / Stop Button (optional)
Bracket kit	Stainless Steel 48 Series
Power	
Power Adapter	1 x Optional AC/DC 12V/4A , 48W
Power Input	2-pin Terminal Block Connector with Power Input 12~24VDC
Power Consumption	≤30W
Physical	
Material	Aluminum alloy panel, anodized treatment
Mounting	Stand / Wall / VESA / Panel
Dimension (W x H x D)	400 x 315 x 135 mm
Packing Size	500 x 180 x 450 mm
Weight (Net)	6.6 kg
Environment	
Operating Temperature	-20~70°C (-4~158°F)
Storage Temperature	-30~80°C (-22~176°F)
Relative Humidity	5%~95%@40°C, non-condensing
Vibration Protection	1.5 Grms, IEC 60068-2-64, random, 5 ~ 500 Hz, 1 hr/axis
IP Level	Front Panel IP66
EMC	CE, FCC, Class A, ROHS , IEC / EN 62368-1

Dimension & I/O



Ordering info

Available models	Description
DCM-H156WAC	15.6" FHD LCD Industrial Monitor with Capcice touch, 2 x VGA / 1 x H-DMI / 1 x T-USB / DC 12V~24V

Packing list

1 x Standard product
1 x 60W PSU (Power Supply)
1 x 1.5M HDMI Cable
1 x 1.5M T-USB Cable
Bracket kit : Stainless Steel 48 Series