



Features

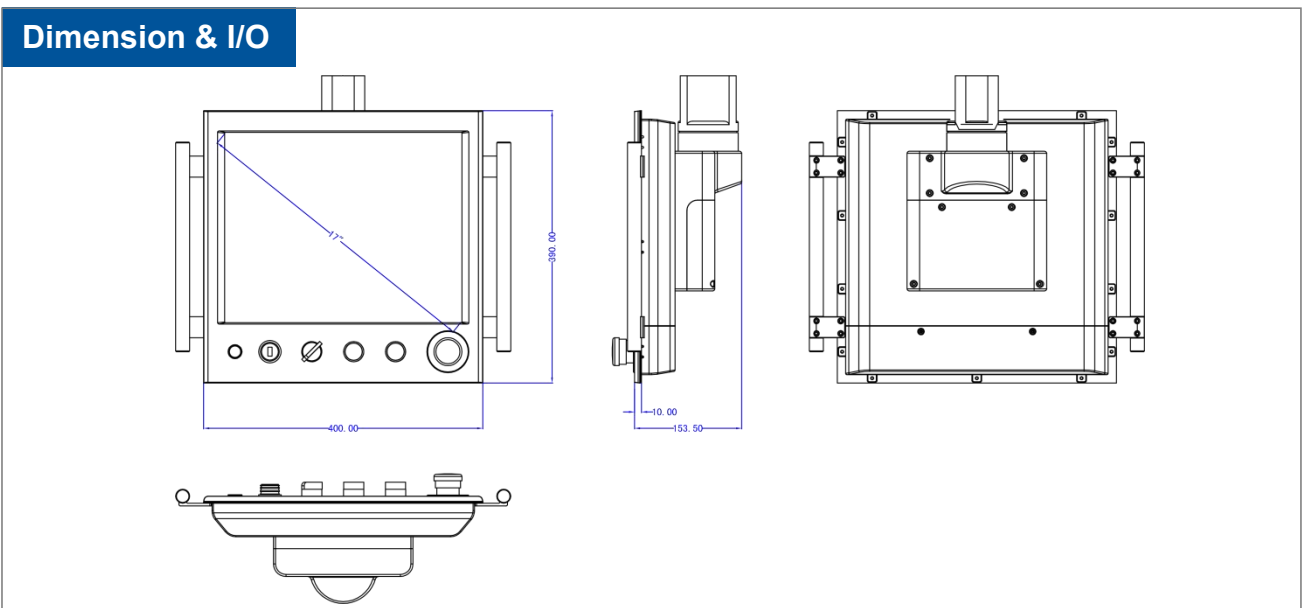
- Industrial-grade 17" SXGA LCD panel with 50k backlight lifetime
- High precision 5-wires resistive touch, EETI controller
- Intel® Celeron® J6412 quad-core 2.0 GHz processor
- 1 x DDR4 SDRAM, max.32GB, 1 x M.2 2280 / 1 x 2.5" SATA SSD
- 3 x Intel® 226-V 2.5GbE Ethernet, support WoL and PXE
- Support IDEC series button expansion and 44-60 Series Cantilever Assembly
- Support TPM2.0 hardware security
- Wide Operating Temperature -20°C to 70°C
- 9V to 36V DC Wide Range Power Input, Supporting OVP / OCP / RPP



Specifications

System	
CPU	Intel® Elkhart Lake Celeron J6412 Quad-core 2.0GHz
L2 Cache	1.5MB
TDP	10W
System Chipset	Integrated with Intel® SoC
Memory	1 x DDR4L 3200MHz 4GB, MAX 32GB
Harddisk	1 x M.2 120G SSD (250G / 500G / 2TB SSD) / 1 x 2.5" SATA
Graphics	Intel® UHD Graphics for 10th Gen Intel® Processors
Network	Intel® 226-V GbE LAN
Audio	Realtek ACL897 Audio controller
TPM	TPM 2.0
Watchdog Timer	Software Programmable Supports 1~255 sec. System Reset
Operation System	Windows 10 / 11, Linux, Ubuntu
I / O	
VIDEO	1 x DP / 1 x H-DMI
LAN	2 x LAN (10/100/1000/2500 Mbps)
USB	4 x USB 3.0
Button	IDEC φ22 Select / Green / Red / Stop Button (optional)
Bracket kit	44- 60 Light Cantilever Accessories
Other I/O	Optional (WiFi / Bluetooth / 4G /)
Display	
LCD Size	17" (5:4)
Resolution	1280 x 1024
Brightness (cd/m ²)	400
Contrast Ratio	1000:1
Backlight MTBF	50000 hrs
Viewing Angle	80 / 80 / 70 / 70 (CR≥10) (L / R / U / D)
Touch screen	
Touch Type	5 Wire Resistive touch
Surface Hardness	≥3H

Power	
Power Input	1 x SP13 Waterproof Connector For 9V~36V DC
Power Mode	Support AT, ATX Mode
Power Protection	OVP (Over Voltage Protection) OCP (Over Current Protection) RPP (Reverse Polarity Protection)
Power Consumption	≤30W
Physical	
Material	Aluminum Alloy Shell
Mounting	Stand / Wall / VESA / Panel
Dimension (W x H x D)	400 x 390 x 155 mm
Packing Size	500 x 180 x 450 mm
Weight (Net)	12.0 KG
Environment	
Operating Temperature	-20~70°C (-4~158°F)
Storage Temperature	-30~80°C (-22~176°F)
Relative Humidity	5%~95%@40°C, non-condensing
Vibration Protection	1.5 Grms, IEC 60068-2-64, random, 5 ~ 500 Hz, 1 hr/axis
IP Level	Front Panel IP65
EMC	CE, FCC, KC , Class A, ROHS , IEC / EN 62368-1



Ordering info

Available models	Description
DCP-C017SAR	17" Fanless Device Control Panel Intel® Elkhart Lake Celeron J6412 2.0GHz Processor With Resistive touch

Packing list

1 x Standard product
1 x Utility DVD Driver
1 x 60W PSU (Power Supply)
1 x Power cable & plug