



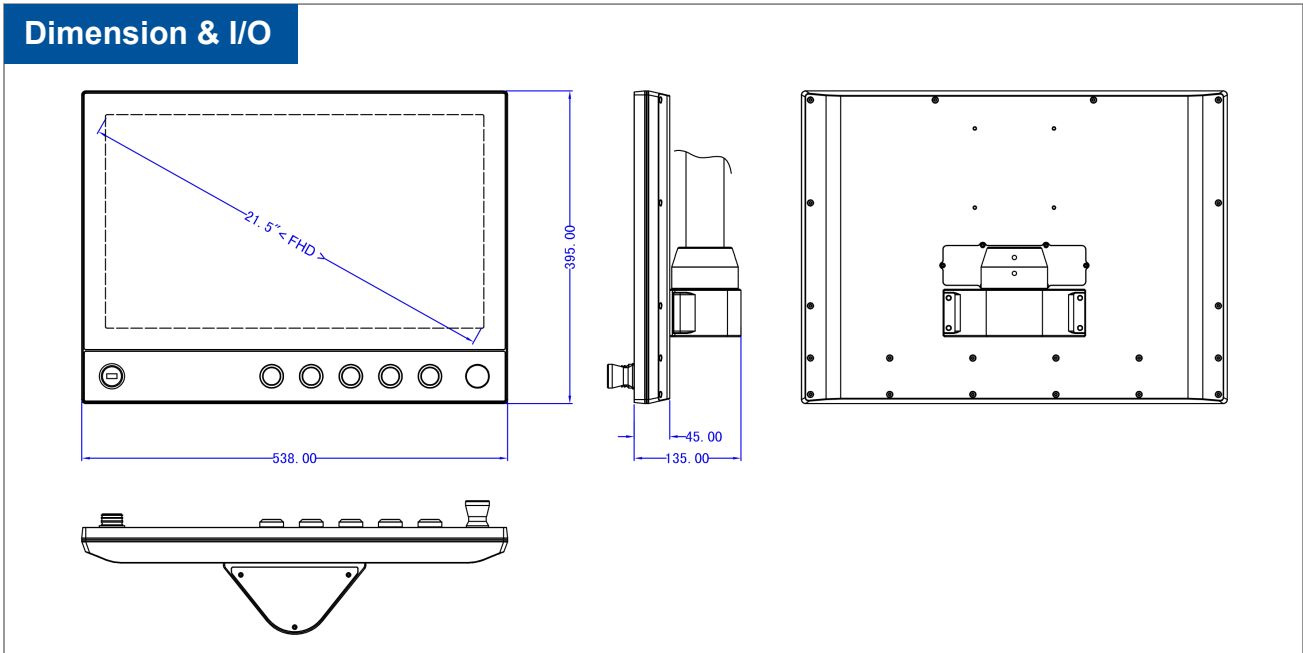
## Features

- Industrial-grade 21.5" FHD LCD panel with 50k backlight lifetime
- Optical bonding PCAP multipoint touch screen
- IP66 grade aluminum alloy front panel
- Video Input Interfaces: 1 x VGA / 1 x HDMI
- Support USB Interfaces for Touch Function
- Supports embedded / VESA 100mm x 100mm mounting holes
- Support RAFI FS22+ series button expansion and stainless steel 48 series
- Wide Operating Temperature -20°C to 70°C
- 12V to 24V DC Wide Range Power Input

## Specifications

Display	
Panel Size	21.5" ( 16:9 )
Resolution	1920 x 1080 ( FHD )
Display Brightness	400 cd/m <sup>2</sup>
Contrast Ratio	1000:1
Backlight Lifetime	50000 Hr (min.)
Viewing Angle	89 / 89 / 89 / 89 (CR≥10) ( L / R / U / D )
Touch screen	
Touch Type	Optical bonding PCAP Touch
Surface Hardness	≥7H
I / O	
VGA	1 x VGA
H-DMI	1 x H-DMI
USB	1 x Touch USB
Other I/O Interface	1 x OSD Control Key
Button	RAFI FS22+ Select / Green / Red / Stop Button ( optional )
Bracket kit	Stainless Steel 48 Series
Power	
Power Adapter	1 x Optional AC/DC 12V/4A , 48W
Power Input	2-pin Terminal Block Connector with Power Input 12~24VDC
Power Consumption	≤30W
Physical	
Material	Aluminum alloy panel, anodized treatment
Mounting	Stand / Wall / VESA / Panel
Dimension (W x H x D)	538 x 395 x 135 mm
Packing Size	930 x 230 x 610 mm
Weight (Net)	12 kg
Environment	
Operating Temperature	-20~70°C ( -4~158°F )
Storage Temperature	-30~80°C (-22~176°F)
Relative Humidity	5%~95%@40°C, non-condensing
Vibration Protection	1.5 Grms, IEC 60068-2-64, random, 5 ~ 500 Hz, 1 hr/axis
IP Level	Front Panel IP66
EMC	CE, FCC, Class A, ROHS , IEC / EN 62368-1

Dimension & I/O



Ordering info

Available models	Description
DCM-H215WAC	21.5" FHD LCD Industrial Monitor with Capcice touch, 2 x VGA / 1 x H-DMI / 1 x T-USB / DC 12V~24V

Packing list

1 x Standard product
1 x 60W PSU (Power Supply)
1 x 1.5M HDMI Cable
1 x 1.5M T-USB Cable
Bracket kit : Stainless Steel 48 Series