



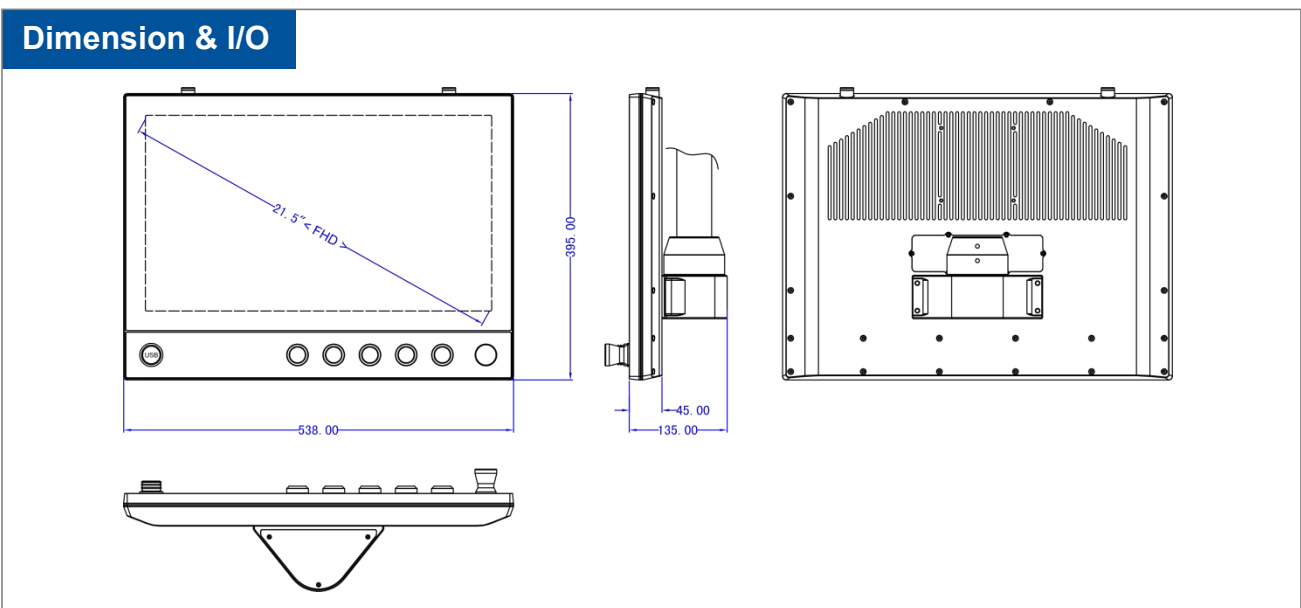
## Features

- Industrial-grade 21.5" FHD LCD panel with 50k backlight lifetime
- True-flat touchscreen with multi-touch projected capacitive control
- IP66 grade aluminum alloy front panel
- 12th Gen Intel® Alder Lake Core™ i3 / i5 / i7 processor
- 2 x DDR5 SDRAM, max.64GB, 1\*M.2 2280 NVMe or SATA SSD
- 2 x Intel® 226-V 2.5GbE / 1 x Intel® 219 GbE, support WoL and PXE
- Supports TPM2.0 security encryption and vPro technology
- Support RAFI FS22+ series button expansion and stainless steel 48 series
- Wide Operating Temperature -20°C to 70°C
- 9V to 36V DC Wide Range Power Input, Supporting OVP / OCP / RPP

## Specifications

System			
CPU	12th Gen Intel® Core™ i3-1215U	12th Gen Core™ i5-1235U	12th Gen Intel® Core™ i7-1255U
L3 Cache	10MB	12MB	12MB
TDP	15W	15W	15W
System Chipset	Integrated with Intel® SoC		
Memory	DDR5 4800 MHz, Dual Channel SODIMM x 2, up to 64GB		
Harddisk	1 x M.2 120G SSD ( 250G / 500G / 2TB SSD) / 1 x 2.5" SATA		
Graphics	Intel® UHD Graphics		
Network	Intel® 226-V / I219-LM GbE LAN		
Audio	Realtek ALC897 Audio controller		
TPM	TPM 2.0		
Watchdog Timer	Software Programmable Supports 1~255 sec. System Reset		
Operation System	Windows 10 / 11, Linux, Ubuntu		
I/O			
VIDEO	2 x HD-MI		
Ethernet	2 x 2.5GbE / 1x 1GbE		
USB	4 x USB 3.2 Gen2		
Button	RAFI FS22+ Select / Green / Red / Stop Button ( optional )		
Bracket kit	Stainless Steel 48 Series		
Wireless Network	Optional (WiFi / Bluetooth / 4G / 5G )		
Expansion			
M.2	1*M.2 ( Key-E, 2230, PCIe+USB, Wifi+BT )		
	1*M.2 ( Key-B, 3042/3052, PCIe/ USB 3.0+USB2.0, 4G/5G )		
	1*M.2 ( Key-M, 2280, NVMe/ SATA, SSD )		
SIM Socket	1x SIM Socket		
Display			
LCD Size	21.5" ( 16:9 )		
Resolution	1920 x 1080 ( FHD )		
Brightness (cd/m²)	400		
Contrast Ratio	1000:1		
Backlight MTBF	50000 hrs		
Viewing Angle	89 / 89 / 89 / 89 (CR≥10) ( L / R / U / D )		
Touch screen			
Touch Type	10 point PCAP		
Surface Hardness	≥7H		

Power	
Power Adapter	1 x Optional AC/DC 12V/5A , 60W
Power Mode	Support AT, ATX Mode
Power Input	2-pin Terminal Block Connector with Power Input 9~36VDC
Power Protection	OVP (Over Voltage Protection)   OCP (Over Current Protection)   RPP (Reverse Polarity Protection)
Power Consumption	≤45W
Physical	
Material	Aluminum alloy panel, anodized treatment
Mounting	Stand / Wall / VESA
Dimension (W x H x D)	538 x 395 x 135 mm
Cut-out Size	/
Packing Size	930 x 230 x 610 mm
Weight (Net)	12.5 KG
Environment	
Operating Temperature	-20~70°C ( -4~158°F )
Storage Temperature	-30~80°C (-22~176°F)
Relative Humidity	5%~95%@40°C, non-condensing
Vibration Protection	1.5 Grms, IEC 60068-2-64, random, 5 ~ 500 Hz, 1 hr/axis
IP Level	Front Panel IP66
EMC	CE, FCC, KC , Class A, ROHS , IEC / EN 62368-1



## Ordering info

Available models	Description
DCP-3215WAC	21.5" Fanless Device Control Panel 12th Gen Intel® Alder Lake Core™ i3-1215U 1.2GHz Processor With Capcice touch
DCP-5215WAC	21.5" Fanless Device Control Panel 12th Gen Intel® Alder Lake Core™ i5-1235U 1.3GHz Processor With Capcice touch
DCP-7215WAC	21.5" Fanless Device Control Panel 12th Gen Intel® Alder Lake Core™ i7-1255U 1.7GHz Processor With Capcice touch

## Packing list

1 x Standard product
1 x Utility DVD Driver
1 x 60W PSU (Power Supply)
1 x Power cable & plug