



## Features

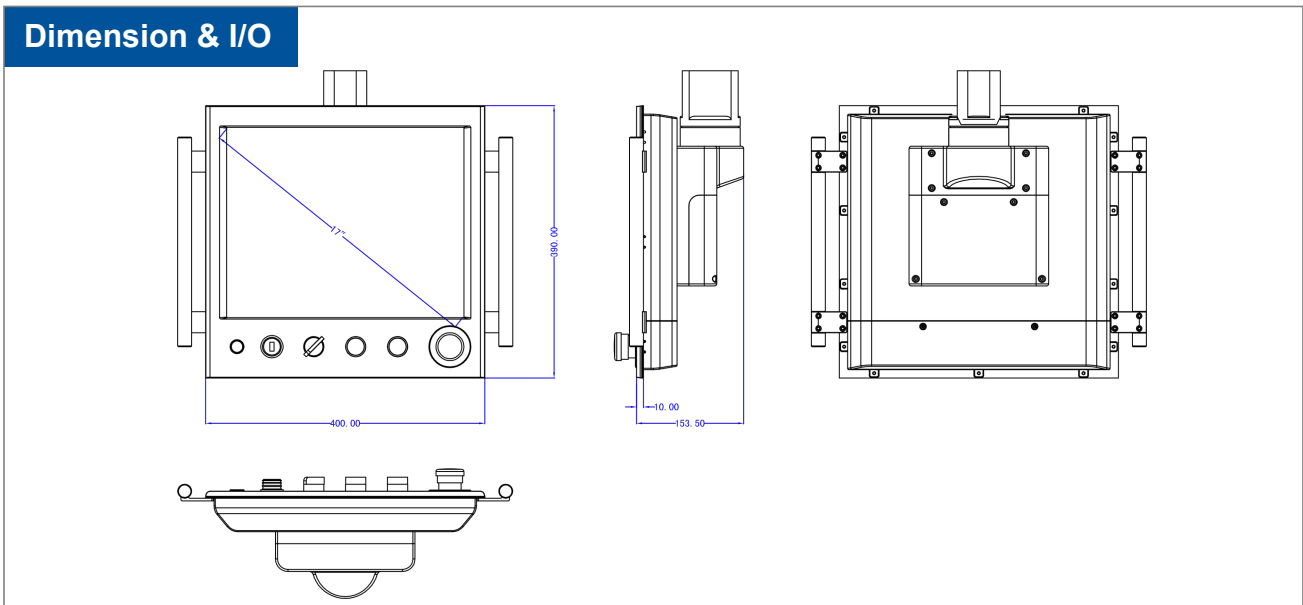
- Industrial-grade 17" SXGA LCD panel with 50k backlight lifetime
- High precision 5-wires resistive touch, EETI controller
- Intel® Celeron® J1900 quad-core 2.0 GHz processor
- 1 x DDR3 SDRAM, max.8GB, 1 x mSATA SATA SSD
- 2 x Intel® 226-V 2.5GbE, support WoL and PXE
- Support IDEC series button expansion and 44-60 Series Cantilever Assembly
- Wide Operating Temperature -20°C to 70°C
- 12V to 24V DC Wide Range Power Input



## Specifications

System	
CPU	Intel® Bay Trail Celeron J1900 Quad-core 2.0GHz
L2 Cache	2.0MB
TDP	10W
System Chipset	Integrated with Intel® SoC
Memory	DDR3L 1333MHz 4GB, Up to 8GB
Harddisk	1 x mSATA 128G SSD / (250G / 500G / 1TB SSD) Optional
Graphics	Intel HD Graphics
Network	Intel® 226-V GbE LAN
Audio	Realtek ACL662 Audio controller
Watchdog Timer	Software Programmable Supports 1~255 sec. System Reset
Operation System	Windows 7 / 8 / 10, Linux, Ubuntu
I/O	
VIDEO	1 x VGA / 1 x H-DMI
LAN	2 x LAN 10/100/1000/2500 Mbps
USB	3 x USB2.0 / 1 x USB3.0
Button	IDEC φ22 Select / Green / Red / Stop Button ( optional )
Bracket kit	44- 60 Light Cantilever Accessories
Other I/O	Optional (WiFi / Bluetooth / 4G / )
Display	
LCD Size	17" ( 5:4 )
Resolution	1280 x 1024
Brightness (cd/m <sup>2</sup> )	400
Contrast Ratio	1000:1
Backlight MTBF	50000 hrs
Viewing Angle	80 / 80 / 70 / 70 (CR≥10) ( L / R / U / D )
Touch screen	
Touch Type	5 Wire Resistive touch
Surface Hardness	≥3H

Power	
Power Adapter	1 x Optional AC/DC 12V/5A , 60W
Power Input	DC 12V~24V
Power Consumption	≤30W
Physical	
Material	Aluminum Alloy Shell
Mounting	Stand / Wall / VESA / Panel
Dimension (W x H x D)	400 x 390 x 155 mm
Packing Size	500 x 180 x 450 mm
Weight (Net)	12.0 KG
Environment	
Operating Temperature	-20~70°C ( -4~158°F )
Storage Temperature	-30~80°C (-22~176°F)
Relative Humidity	5%~95%@40°C, non-condensing
Vibration Protection	1.5 Grms, IEC 60068-2-64, random, 5 ~ 500 Hz, 1 hr/axis
IP Level	Front Panel IP65
EMC	CE, FCC, KC , Class A, ROHS , IEC / EN 62368-1



## Ordering info

Available models	Description
DCP-J017SAR	17" Fanless Device Control Panel Intel® Bay Trail Celeron J1900 2.0GHz Processor With Resistive touch

## Packing list

1 x Standard product
1 x Utility DVD Driver
1 x 60W PSU (Power Supply)
1 x Power cable & plug