



Features

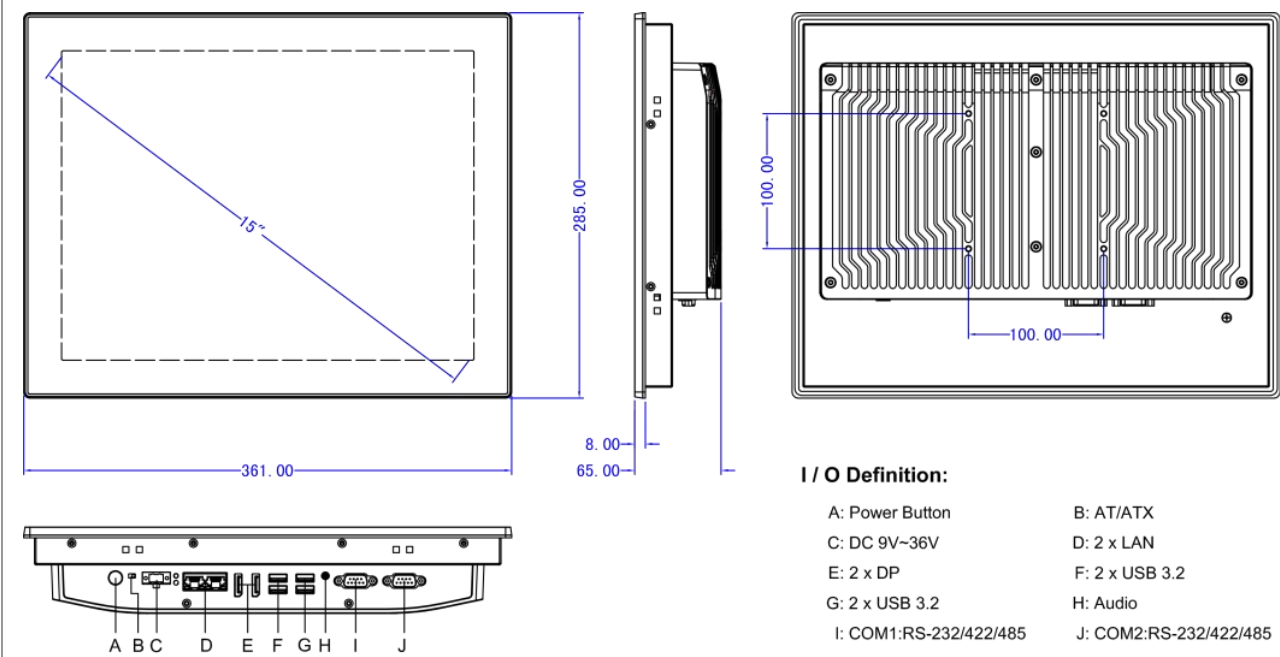
- Industrial-grade 15" XGA LCD panel with 50k backlight lifetime
- Optical bonding PCAP multipoint touch screen
- IP66 grade aluminum alloy front panel
- Intel® Core™ Ultra5 225U 1.3 / 255U 1.7 GHz processor
- 2 x DDR5 SDRAM, max.96GB, 1 x M.2 2280 NVMe SSD
- 2 x Intel® 226-V 2.5GbE Ethernet, support WoL and PXE
- 2 x RS232/422/485, RS485 support automatic flow control
- Supports TPM2.0 security encryption and Intel vPro® Essentials
- Supports embedded / VESA 100mm x 100mm mounting holes
- 9V to 36V DC Wide Range Power Input, Supporting OVP / OCP / RPP

Specifications

System	
CPU	Intel® Core™ Ultra5 225U 1.3GHz Intel® Core™ Ultra5 255U 1.7GHz
TDP	15W
Core / Tread	12C / 2P+8E
L3 Cache	12MB
GPU	Intel® Graphics 2.0 GHz , 8TOPS
NPU	Intel® AI Boost, 12TOPS
Chipset	Integrated With Intel® SoC
BIOS	AMI UEFI
Memory	2 x DDR5 6400MHz 16GB, Up to 96GB, Non-ECC
Harddisk	1 x M.2 256G SSD (500G / 1TB SSD)
Audio	Realtek ALC897 Audio controller
TPM	TPM 2.0
Watchdog Timer	255 Timer Levels, Set up by Software
Operation System	Windows 10 / 11, Linux, Ubuntu
I / O	
VIDEO	2 x DP
Ethernet	2 x Intel® I226V, 2.5GbE
USB	4 x USB 3.2 Gen 2 x 2
COM	2 x RS-232 / 422 / 485 (Adjustable through BIOS)
Audio	1x Audio_out & Mic_in
Wireless Network	Optional (WiFi / Bluetooth / 4G / 5G)
Expansion	
M.2	1*M.2 (Key-E, 2230, PCIe+USB, Wifi+BT)
	1*M.2 (Key-B, 3042/3052, PCIe/ USB 3.0+USB2.0, 4G/5G)
	1*M.2 (Key-M, 2280, NVMe/ SATA, SSD)
SIM Socket	1x SIM Socket
Display	
LCD Size	15" (4:3)
Resolution	1024 x 768
Brightness (cd/m ²)	350 cd/m ²
Contrast Ratio	1000:1
Backlight MTBF	50,000 hrs (LED Backlight)
Viewing Angle	89 / 89 / 89 / 89 (CR≥10) (L / R / U / D)

Touch screen	
Touch Type	Optical bonding PCAP Touch
Surface Hardness	≥7H
Power	
Power Adapter	1 x Optional AC/DC 12V/5A , 60W
Power Mode	Support AT, ATX Mode
Power Input	9~36VDC, 2-Pin Terminal Block Connector with Power Input
Power Protection	OVP (Over Voltage Protection) OCP (Over Current Protection) RPP (Reverse Polarity Protection)
Power Consumption	≤45W
Physical	
Material	Aluminum alloy panel, anodized treatment
Mounting	Stand / Wall / VESA / Panel
Dimension (W x H x D)	361 x 285 x 65 mm
Cut-out Size	347 x 271 mm
Packing Size	460 x 180 x 400 mm
Weight (Net)	4.5 KG
Environment	
Operating Temperature	-20~70°C (-4~158°F)
Storage Temperature	-30~80°C (-22~176°F)
Relative Humidity	5%~95%@40°C, non-condensing
Vibration Protection	1.5 Grms, IEC 60068-2-64, random, 5 ~ 500 Hz, 1 hr/axis
IP Level	Front Panel IP66
EMC	CE, FCC, KC , Class A, ROHS , IEC, EN 62368-1

Dimension & I/O



Panel Cutout Dimensions: 347 x 271 mm (13.67 x 10.67 in)

Ordering info

Available models		Description
	PPC-5015SAC-15th-2C	15" Fanless Industrial Panel PC Intel® Core™ Ultra5 225U 1.3GHz Processor With Optical bonding PCAP Touch, 2 x DP / 2 x Intel® I226V, 2.5GbE / 4 x USB 3.2 Gen 2 x 2 / 2 x RS-232 / 422 / 485
	PPC-7015SAC-15th-2C	15" Fanless Industrial Panel PC Intel® Core™ Ultra5 255U 1.7GHz Processor With Optical bonding PCAP Touch, 2 x DP / 2 x Intel® I226V, 2.5GbE / 4 x USB 3.2 Gen 2 x 2 / 2 x RS-232 / 422 / 485
	PPC-5015SAC-15th-4C	15" Fanless Industrial Panel PC Intel® Core™ Ultra5 225U 1.3GHz Processor With Optical bonding PCAP Touch, 2 x DP / 2 x Intel® I226V, 2.5GbE / 4 x USB 3.2 Gen 2 x 2 / 2 x RS232/RS422/RS485, 2 x RS232
	PPC-7015SAC-15th-4C	15" Fanless Industrial Panel PC Intel® Core™ Ultra5 255U 1.7GHz Processor With Optical bonding PCAP Touch, 2 x DP / 2 x Intel® I226V, 2.5GbE / 4 x USB 3.2 Gen 2 x 2 / 2 x RS232/RS422/RS485, 2 x RS232
	PPC-5015SAC-15th-4L	15" Fanless Industrial Panel PC Intel® Core™ Ultra5 225U 1.3GHz Processor With Optical bonding PCAP Touch, 2 x DP / 2 x Intel® I226V, 2.5GbE / 4 x USB 3.2 Gen 2 x 2 / 4 x Intel® I226V, 2.5GbE
	PPC-7015SAC-15th-4L	15" Fanless Industrial Panel PC Intel® Core™ Ultra5 255U 1.7GHz Processor With Optical bonding PCAP Touch, 2 x DP / 2 x Intel® I226V, 2.5GbE / 4 x USB 3.2 Gen 2 x 2 / 4 x Intel® I226V, 2.5GbE
	PPC-5015SAC-15th-8D+2C	15" Fanless Industrial Panel PC Intel® Core™ Ultra5 225U 1.3GHz Processor With Optical bonding PCAP Touch, 2 x DP / 2 x Intel® I226V, 2.5GbE / 4 x USB 3.2 Gen 2 x 2 / 2 x RS232/RS422/RS485, 8 x Digital I/O (4in/4out)
	PPC-7015SAC-15th-8D+2C	15" Fanless Industrial Panel PC Intel® Core™ Ultra5 255U 1.7GHz Processor With Optical bonding PCAP Touch, 2 x DP / 2 x Intel® I226V, 2.5GbE / 4 x USB 3.2 Gen 2 x 2 / 2 x RS232/RS422/RS485, 8 x Digital I/O (4in/4out)
	PPC-5015SAC-15th-2L+2C	15" Fanless Industrial Panel PC Intel® Core™ Ultra5 225U 1.3GHz Processor With Optical bonding PCAP Touch, 2 x DP / 2 x Intel® I226V, 2.5GbE / 4 x USB 3.2 Gen 2 x 2 / 2 x LAN, 2 x RS232/RS422/RS485
	PPC-7015SAC-15th-2L+2C	15" Fanless Industrial Panel PC Intel® Core™ Ultra5 255U 1.7GHz Processor With Optical bonding PCAP Touch, 2 x DP / 2 x Intel® I226V, 2.5GbE / 4 x USB 3.2 Gen 2 x 2 / 2 x LAN, 2 x RS232/RS422/RS485

Packing list

1 x Standard product
1 x 60W PSU (Power Supply)
1 x Power cable & plug
8 x Panel mount metal clips