



Features

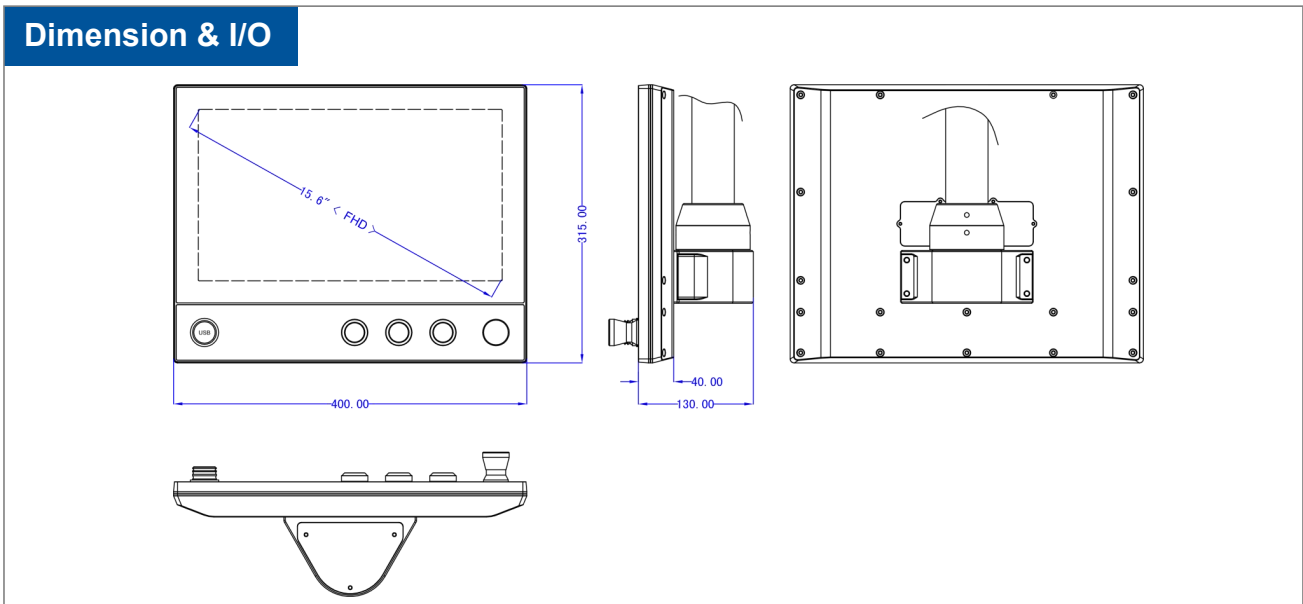
- Industrial-grade 15.6" FHD LCD panel with 50k backlight lifetime
- True-flat touchscreen with multi-touch projected capacitive control
- IP66 grade aluminum alloy front panel
- 8th Gen Intel® Whiskey Lake Core™ i3 / i5 / i7 Processor
- DDR4 SDRAM, max.64GB, 1 x M.2 2280 / 1 x mSATA SSD
- 2 x Intel® 211 1GbE Ethernet, support WoL and PXE
- Support TPM2.0 hardware security
- Support RAFI FS22+ series button expansion and stainless steel 48 series
- Wide Operating Temperature -20°C to 70°C
- 9V to 36V DC Wide Range Power Input, Supporting OVP / OCP / RPP



Specifications

System			
CPU	8th Gen Intel® Core™ i3-8145U	8th Gen Intel® Core™ i5-8265U	8th Gen Intel® Core™ i7-8565U
L3 Cache	4MB	6MB	8MB
TDP	25W	25W	25W
System Chipset	Integrated with Intel® SoC		
Memory	DDR4L 2400MHz 4GB, Up to 64GB		
Harddisk	1 x M.2 120G SSD (250G / 500G / 2TB SSD) / 1 x 2.5" SATA		
Graphics	Intel HD Graphics 620		
Network	Intel® I211-AT GbE LAN		
Audio	Realtek ACL897 Audio controller		
TPM	TPM 2.0		
Watchdog Timer	Software Programmable Supports 1~255 sec. System Reset		
Operation System	Windows 10 / 11, Linux, Ubuntu		
I/O			
VIDEO	1 x DP / 1 x H-DMI		
LAN	2 x LAN 10/100/1000/2500 Mbps		
USB	1 x USB2.0 / 4 x USB3.0		
COM	6 x RS232 (optional)		
Audio	1x Audio_out & Mic_in		
Button	RAFI FS22+ Select / Green / Red / Stop Button (optional)		
Bracket kit	Stainless Steel 48 Series		
Other I/O Interface	Optional (WiFi / Bluetooth / 4G /)		
Display			
LCD Size	15.6" (16:9)		
Resolution	1920 x 1080 (FHD)		
Brightness (cd/m ²)	450		
Contrast Ratio	1000:1		
Backlight MTBF	50000 hrs		
Viewing Angle	89 / 89 / 89 / 89 (CR≥10) (L / R / U / D)		
Touch screen			
Touch Type	10 point PCAP		
Surface Hardness	≥7H		

Power	
Power Adapter	1 x Optional AC/DC 12V/5A , 60W
Power Input	DC 9V~36V
Power Consumption	≤30W
Physical	
Material	Aluminum Alloy Shell
Mounting	Stand / Wall / VESA / Panel
Dimension (W x H x D)	400 x 315 x 130 mm
Packing Size	500 x 180 x 450 mm
Weight (Net)	12.0 KG
Environment	
Operating Temperature	-20~70°C (-4~158°F)
Storage Temperature	-30~80°C (-22~176°F)
Relative Humidity	5%~95%@40°C, non-condensing
Vibration Protection	1.5 Grms, IEC 60068-2-64, random, 5 ~ 500 Hz, 1 hr/axis
IP Level	Front Panel IP66
EMC	CE, FCC, ROHS



Ordering info

Available models	Description
DCP-3156WAC	15.6" Fanless Industrial Panel PC 8th Gen Intel® Whiskey Lake Core™ i3-8145U 2.1GHz Processor With Capcice touch
DCP-5156WAC	15.6" Fanless Industrial Panel PC 8th Gen Intel® Whiskey Lake Core™ i5-8265U 1.6GHz Processor With Capcice touch
DCP-7156WAC	15.6" Fanless Industrial Panel PC 8th Gen Intel® Whiskey Lake Core™ i7-8565U 1.8GHz Processor With Capcice touch

Packing list

1 x Standard product
1 x Utility DVD Driver
1 x 60W PSU (Power Supply)
1 x Power cable & plug